

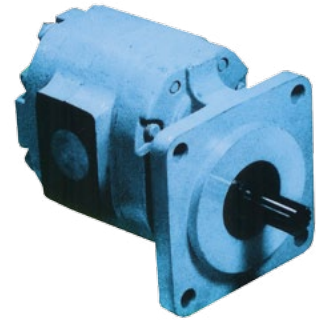


TECHNICAL SPECIFICATIONS



2500 SERIES

Medium displacement roller bearing pump and motor



PUMP PERFORMANCE CHART [gpm]

GEAR WIDTH [in]

SPEED [rpm]	GEAR WIDTH [in]										
	1/2	3/4	1	1 1/4	1 1/2	1 3/4	2	2 1/4	2 1/2	2 3/4	3
600	—	—	5.5	7.0	8.5	10.0	11.0	12.0	13.0	—	—
900	—	—	8.5	11.0	13.0	16.0	17.5	19.0	21.0	—	—
1200	—	—	11.5	15.0	18.0	21.5	24.0	26.5	29.0	—	—
1500	—	—	15.0	19.0	23.0	27.0	30.5	33.5	37.5	—	—
1800	—	—	18.0	23.0	28.0	33.0	37.0	41.0	46.0	—	—
2100	—	—	21.0	27.0	32.5	38.5	43.5	48.0	54.0	—	—
2400	—	—	24.0	31.0	37.5	44.0	50.0	55.5	62.0	—	—
Max RPM	2400									—	—
Displacement (in³)	1.28-6.43									—	—
Displacement (cc)	20.9-105.4									—	—
Max Operating PSI	2000									—	—

SPECIFICATIONS

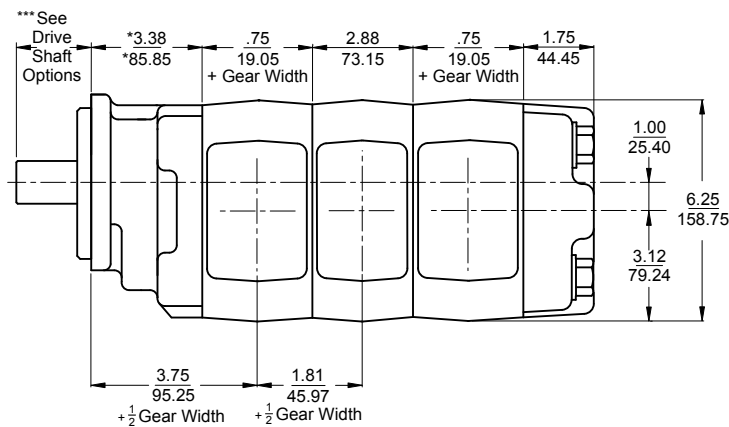
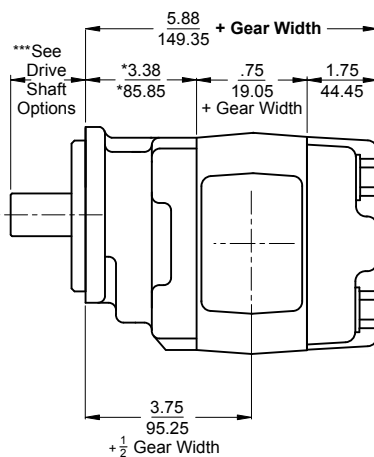
Series	Type	Frame Size	Displacement	Max RPM	GPM @ 1000RPM	Max PSI
2500	Bearing	Medium	1.28-6.43	2400	5.5-28	2500

MOTOR PERFORMANCE CHART

GEAR WIDTH [in]

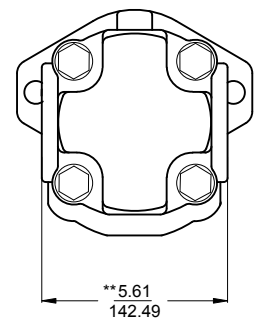
SPEED [rpm]	1			1 1/2			2			2 1/2		
	Input (GPM)	Output Torque (in-lb)	Output (HP)	Input (GPM)	Output Torque (in-lb)	Output (HP)	Input (GPM)	Output Torque (in-lb)	Output (GPM)	Input (GPM)	Output Torque (in-lb)	Output (GPM)
800	11	730	9	16	1140	14	21.5	1530	18.5	26.5	1900	24
1200	16	720	13.5	23	1120	21	31	1495	28	37.5	1870	35.5
1600	20.5	710	17.5	30.5	1100	27	40.5	1470	37	50	1820	45
2000	25.5	670	21	38	1040	32.5	50	1410	44.5	62	1740	55

DIMENSIONAL DATA



*For double bearing option, dimensions 4.12
104.64

SINGLE UNIT



DISCLAIMER Consult your Permco Representative or the factory for operation below 600 or above 2400 RPM and temperatures above 180° F. Oil Viscosity: 150 SUS (32.1 cSt.) at 100° F (37.8° C) | Oil Temperature: 150° F (65.5° C)



1500 Frost Road P.O. Box 2068
Streetsboro, Ohio 44241
Phone 330.626.2801 • Fax 330.626.2805

support@permco.com • www.permco.com
twitter: @permco
facebook: www.facebook.com/permco