

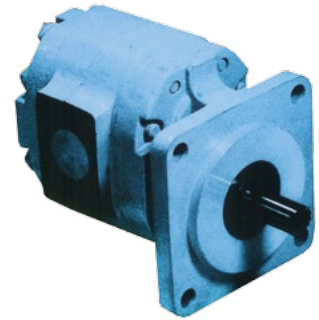


TECHNICAL SPECIFICATIONS



1500 SERIES

Small displacement roller bearing pump and motor



PUMP PERFORMANCE CHART [gpm]

GEAR WIDTH [in]

SPEED [rpm]	GEAR WIDTH [in]										
	1/2	3/4	1	1 1/4	1 1/2	1 3/4	2	2 1/4	2 1/2	2 3/4	3
600	—	—	—	—	—	—	—	—	—	—	—
900	1.7	2.5	3.4	4.2	5	5.8	6.7	—	—	—	—
1200	2.5	3.8	5.2	6.5	7.8	9.2	10.5	—	—	—	—
1500	3.4	5.1	7	8.8	10.7	12.5	14.3	—	—	—	—
1800	4.2	6.4	8.8	11.1	13.5	15.8	18.1	—	—	—	—
Max RPM	2000							—	—	—	—
Displacement (in ³)	0.7265-2.906							—	—	—	—
Displacement (cc)	11.9-47.6							—	—	—	—
Max Operating PSI	2000							—	—	—	—

SPECIFICATIONS

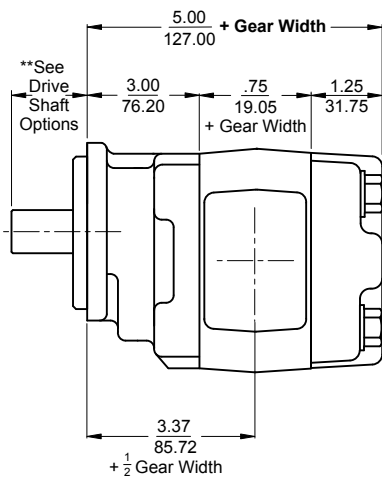
Series	Type	Frame Size	Displacement	Max RPM	GPM @ 1000RPM	Max PSI
1500	Bearing	Small	0.73-2.91	2000	3-12.5	2000

MOTOR PERFORMANCE CHART

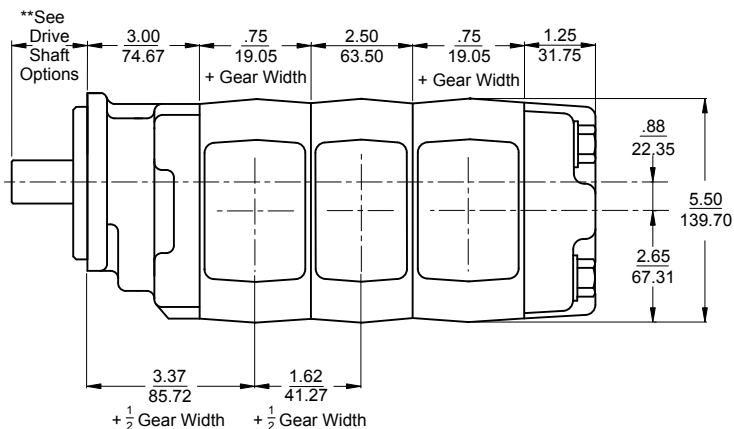
GEAR WIDTH [in]

SPEED [rpm]	1			1 1/2			2		
	Input (GPM)	Output Torque (in-lb)	Output (HP)	Input (GPM)	Output Torque (in-lb)	Output (HP)	Input (GPM)	Output Torque (in-lb)	Output (GPM)
800	6	400	5	8.5	660	8.5	12	855	11
1200	8	395	7.5	13.5	655	12.5	17	845	16
1600	11	385	9.5	18	640	15.5	22	830	21
2000	14	370	12	21	590	18.5	27	795	25

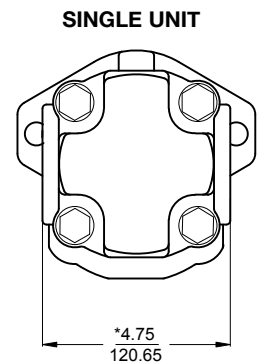
DIMENSIONAL DATA



SINGLE UNIT



MULTIPLE UNIT



SINGLE UNIT

DISCLAIMER Consult your Permco Representative or the factory for operation below 600 or above 2400 RPM and temperatures above 180° F. Oil Viscosity: 150 SUS (32.1 cSt.) at 100° F (37.8° C) | Oil Temperature: 150° F (65.5° C)



1500 Frost Road P.O. Box 2068
 Streetsboro, Ohio 44241
 Phone 330.626.2801 • Fax 330.626.2805

support@permco.com · www.permco.com
 twitter: @permco
 facebook: www.facebook.com/permco