



TECHNICAL SPECIFICATIONS



PT7B SERIES

Small displacement vane pump



PUMP OPERATING CHARACTERISTICS CHART

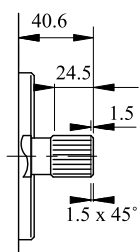
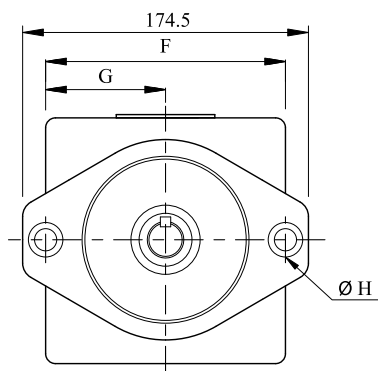
	Cam Ring												
	B02	B03	B04	B05	B06	B07	B08	B09	B10	B11	B12	B14	B15
GPM @ 1200 RPM <i>0 PSI</i>	2	3	4	5	6	7	8	9	10	11	12	14	15
GPM @ 1800 RPM <i>4650 PSI</i>	1.72	3.62	5.07	6.53	8.37	9.64	10.8	12.26	14.11	15.59*	18.52*	20.34*	22.85*
LPM @ 1800 RPM <i>320 BAR</i>	6.5	13.7	19.2	24.7	31.7	36.5	40.9	46.4	55.5	59.0*	70.1*	79.2*	86.5*
IN³	0.35	0.6	0.78	0.97	1.21	1.37	1.52	1.71	1.94	2.13	2.5	2.75	3.05
CC	5.7	9.8	12.8	15.9	19.8	22.5	24.9	28	31.8	34.9	40.9	45.1	50
Max PSI	4650									4350			4060
Continuous PSI	4200									4000			3500
MAX RPM	3600									3000			
MIN RPM	600												400

*Performance stated at Max RPM and Max PSI for given cam ring.

SPECIFICATIONS

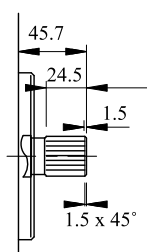
Series	Type	Frame Size	Displacement	Max RPM	GPM @ 1000RPM	Max PSI
PT7B	Vane	Small	0.35-3.05	3600	5.7-50	4650

DIMENSIONAL DATA



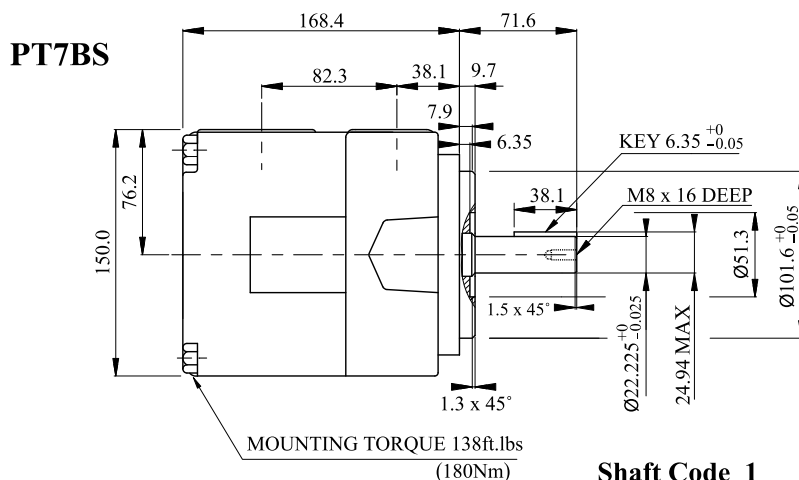
Shaft code 3

SAE B splined shaft
Class 1-J498b 16/32
dp. -13 teeth 30°
pressure angle flat root
side fit

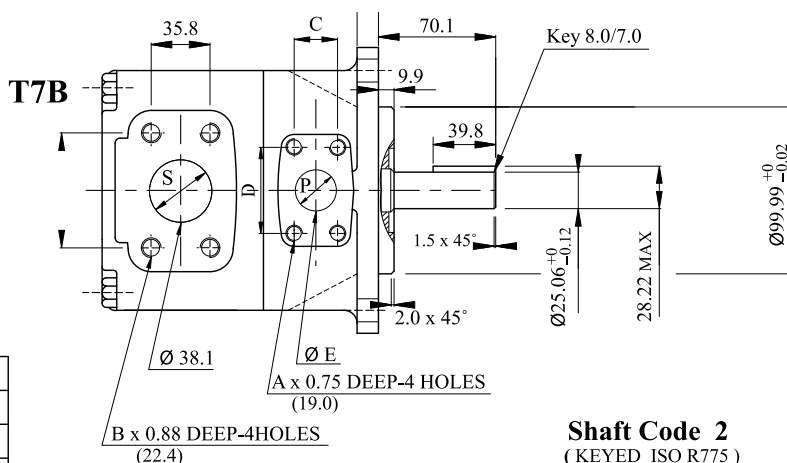


Shaft code 4

SAE BB splined shaft
Class 1-J498b 16/32 dp.
-15 teeth 30° pressure
angle flat root side fit



Shaft Code 1 (KEYED SAE B)



Shaft Code 2 (KEYED ISO R775)

	PT7BS		PT7B	
	00	01	M0	M1
A	3/8-16 UNC		M10	
B	1/2-13 UNC		M12	
C	1.03 (26.2)	0.874 (22.2)	1.03 (26.2)	0.874 (22.2)
D	2.06 (52.4)	1.874 (47.6)	2.06 (52.4)	1.874 (47.6)
ØE	1.00 (25.4)	0.75 (19.05)	1.00 (25.4)	0.75 (19.05)
F	5.75 (146.0)		5.51 (140.0)	
G	2.87 (73.0)		2.75 (70.0)	
ØH	0.56 (14.3)		0.55 (14.0)	

Shaft torque limits in ³ /rev x psi (cm ³ /rev x bar)		
Pump	Shaft	Vp x p max
PT7B	1	14615 (16516)
	2	18246 (20620)
	3	18624 (20620)
	4	18624 (20620)

DISCLAIMER Consult your Permco Representative or the factory for operation below 600 or above 2400 RPM and temperatures above 180° F. Consult Permco for all pressure applications over 4350 PSI. Oil Viscosity: 150 SUS (32.1 cSt.) at 100° F (37.8° C) | Oil Temperature: 150° F (65.5° C)



1500 Frost Road P.O. Box 2068
Streetsboro, Ohio 44241
Phone 330.626.2801- Fax 330.626.2805

support@permco.com · www.permco.com
twitter: @permco
facebook: www.facebook.com/permco