

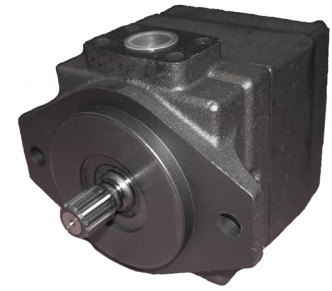


TECHNICAL SPECIFICATIONS



PT6C SERIES

Small to medium displacement vane pump



PUMP OPERATING CHARACTERISTICS CHART

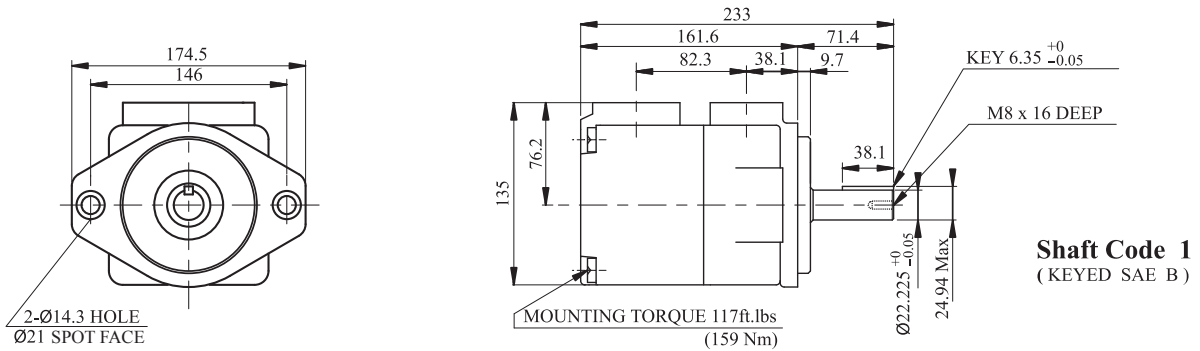
	Cam Ring												
	B03/ 003	B05/ 005	B06/ 006	B08/ 008	B10/ 010	B12/ 012	B14/ 014	B17/ 017	B20/ 020	B22/ 022	B25/ 025	B28/ 028	B31/ 031
GPM @ 1200 RPM <i>0 PSI</i>	3	5	6	8	10	12	14	17	20	22	25	28	31
GPM @ 1000 RPM <i>3500 PSI</i>	1.35	3.04	3.38	4.73	6.76	7.56	9.91	13.16	14.61	16.33	18.70*	21.50*	24.46*
LPM @ 1000 RPM <i>241 BAR</i>	5.1	11.5	12.8	17.9	25.6	28.6	37.5	49.8	55.3	61.8	70.8*	81.4*	92.6*
IN³	0.66	1.05	1.3	1.61	2.08	2.26	2.81	3.56	3.89	4.29	4.84	5.42	6.1
CC	10.8	17.2	21.3	26.4	34.1	37.1	46	58.3	63.8	70.3	79.3	88.8	100
Max PSI	4000											3000	
Continuous PSI	3500											2300	
MAX RPM	2800										2500		
MIN RPM	600/400												

*Performance stated at Max RPM and Max PSI for given cam ring.

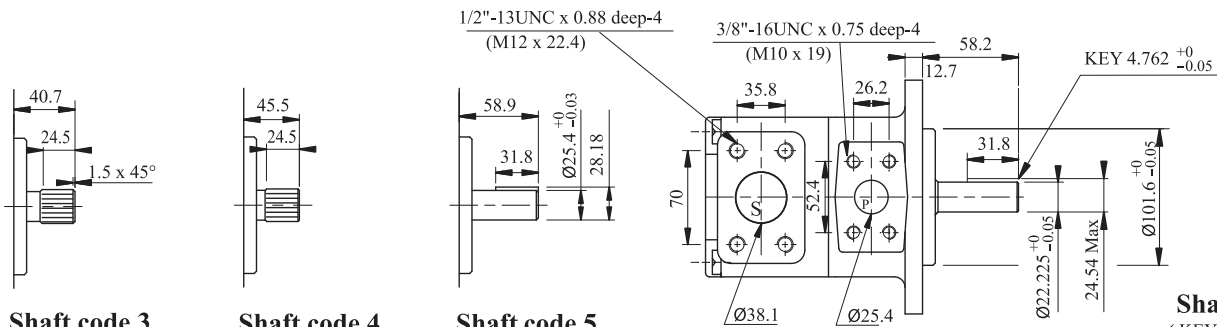
SPECIFICATIONS

Series	Type	Frame Size	Displacement	Max RPM	GPM @ 1000RPM	Max PSI
PT6C	Vane	Small to Medium	0.66-6.10	2800	6-31	4000

DIMENSIONAL DATA



Shaft Code 1
(KEYED SAE B)



Shaft code 3
SAE B splined shaft
Class 1-J498b 16/32
dp. -13 teeth 30°
pressure angle flat root
side fit

Shaft code 4
SAE BB splined shaft
Class 1-J498 16/32
dp. -15 teeth 30°
pressure angle flat
root side fit

Shaft code 5
SAE BB keyed shaft

Shaft Code 2
(KEYED NO SAE)

Shaft torque limits in ³ /rev x psi (cm ³ /rev x bar)		
Pump	Shaft	Vp x p max
PT6C	1	14473 (16500)
	2	12666 (14300)
	3	18246 (20600)
	4	19309 (21812)
	5	18246 (20600)

DISCLAIMER Consult your Permco Representative or the factory for operation below 600 or above 2400 RPM and temperatures above 180° F. Consult Permco for all pressure applications over 4350 PSI. Oil Viscosity: 150 SUS (32.1 cSt.) at 100° F (37.8° C) | Oil Temperature: 150° F (65.5° C)



1500 Frost Road P.O. Box 2068
Streetsboro, Ohio 44241
Phone 330.626.2801 • Fax 330.626.2805

support@permco.com • www.permco.com
twitter: @permco
facebook: www.facebook.com/permco