



TECHNICAL SPECIFICATIONS



PM4C SERIES

Small to medium displacement vane motor



MOTOR OPERATING CHARACTERISTICS CHART

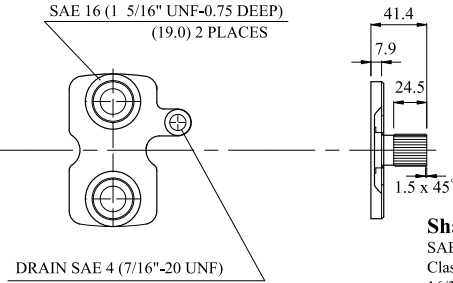
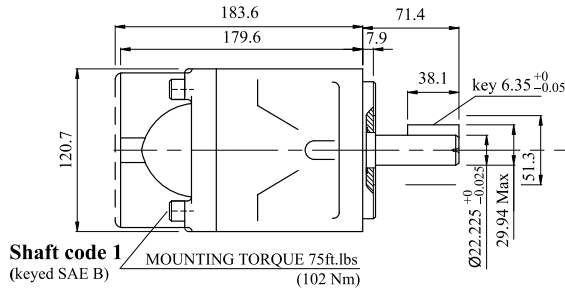
	Cam Ring						
	024	027	031	043	055	067	075
Torque (in.lb/PSI)	24	27	31	43	55	67	75
Input GPM @ 2500 PSI 2000 RPM	17.7	19.55	22.98	29.32	35.93	42.27	47.02
Input LPM @ 172 BAR 2000 RPM	67	74	87	111	136	160	178
IN³	1.49	1.72	2.11	2.84	3.59	4.34	4.89
CC	24.4	28.2	34.5	46.5	58.8	71.1	80.1
Max PSI	2500						
Torque 2500 PSI = in/lbs	535.4	619.8	768.1	1062	1319	1504	1752
MAX RPM Continuous	2500						
MAX RPM Intermittent	3600						

SPECIFICATIONS

Series	Type	Frame Size	Displacement	Max RPM	Torque @ 2000 RPM	Max PSI
PM4C	Vane	Small to Medium	1.49-4.89	3600	24-75	3600

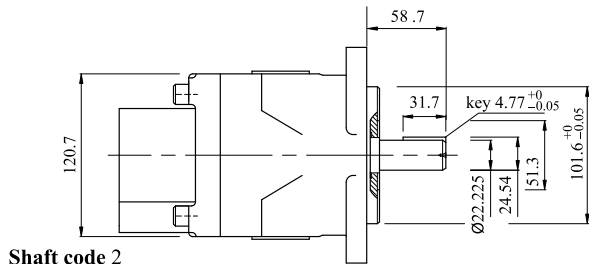
DIMENSIONAL DATA

PM4C SERIES



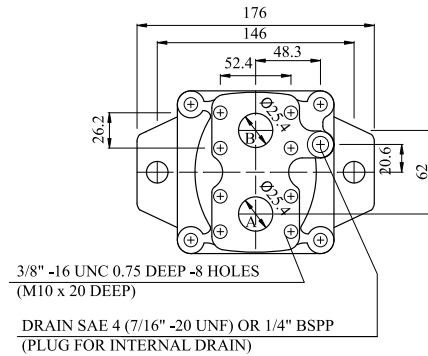
SAE THREADED PORT

Shaft code 3
SAE B splined shaft
Class 1 - J498b
16/32 dp. 13 teeth
30° pressure angle
flat root side fit



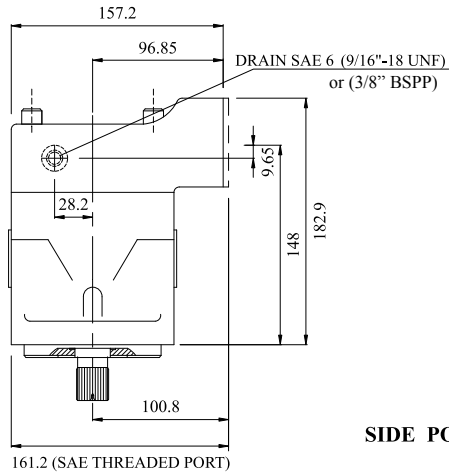
Shaft code 2
(keyed no SAE)

REAR PORTS

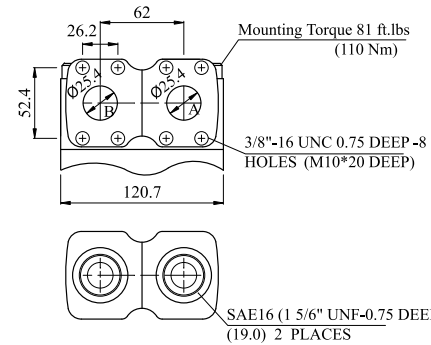


3/8" -16 UNC 0.75 DEEP -8 HOLES
(M10 x 20 DEEP)

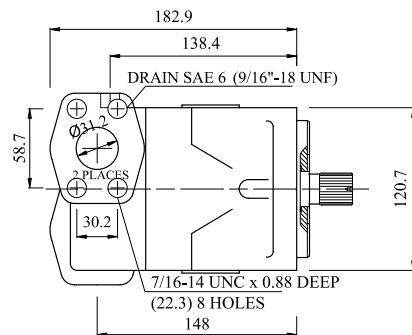
DRAIN SAE 4 (7/16" -20 UNF) OR 1/4" BSPP
(PLUG FOR INTERNAL DRAIN)



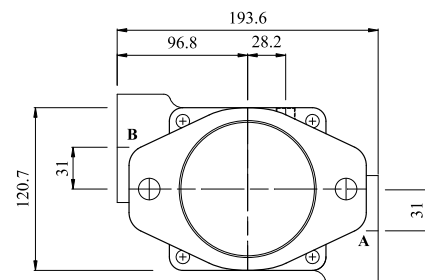
SIDE PORTS



SAE THREADED PORT



OPPOSITE PORTS



DISCLAIMER Consult your Permco Representative or the factory for operation below 600 or above 2400 RPM and temperatures above 180° F. Consult Permco for all pressure applications over 4350 PSI. Oil Viscosity: 150 SUS (32.1 cSt.) at 100° F (37.8° C) | Oil Temperature: 150° F (65.5° C)



1500 Frost Road P.O. Box 2068
Streetsboro, Ohio 44241
Phone 330.626.2801- Fax 330.626.2805

support@permco.com · www.permco.com
twitter: @permco
facebook: www.facebook.com/permco