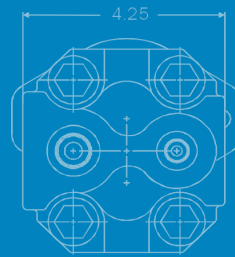
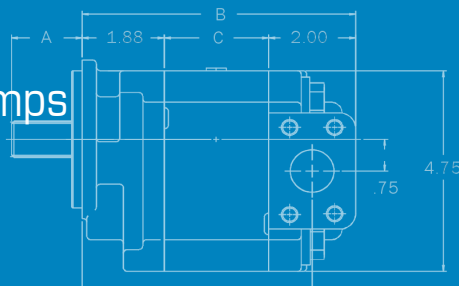


Large Displacement Roller Bearing Pumps

# 7600 SERIES

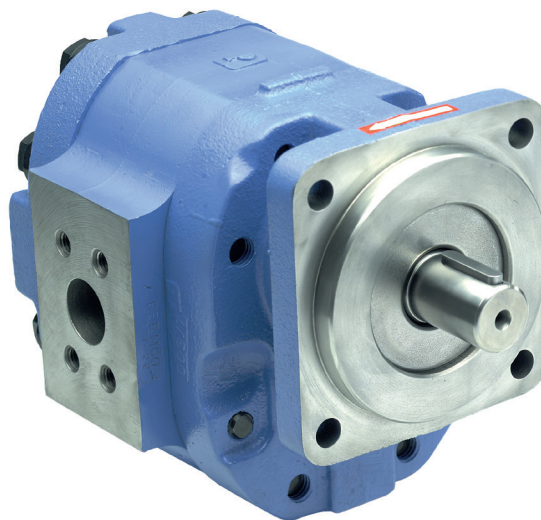


Precision-Engineered Fluid Power Products

The Sensible Choice for Pumps & Motors



Refuse Trucks  
Lubrication Trucks  
Winch Motors



## Features

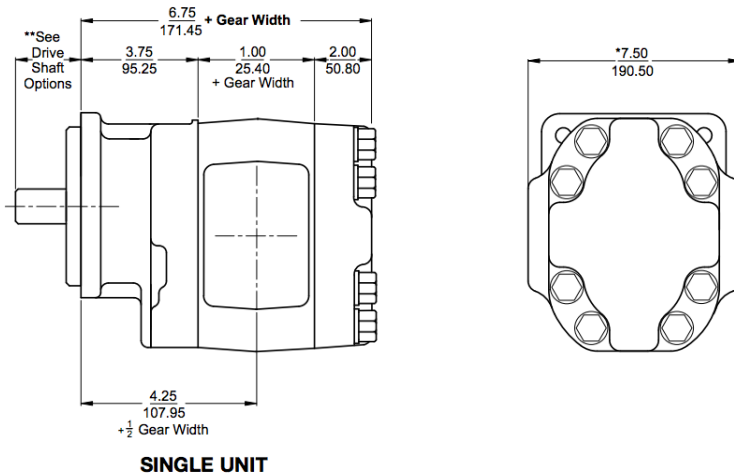
- Heavy duty roller bearing design in a large frame size
- Working pressure up to 3000 PSI
- Cubic inch displacements from 4.04 through 12.10
- Speeds up to 2400 RPM
- Flows up to 128 GPM
- Doweled and high strength cast iron construction
- High strength alloy steel gear and shaft sets
- Split flange & SAE ORB ports are available
- Pressure balanced wear plates maintain high pump efficiency throughout all operating ranges
- 100% factory tested



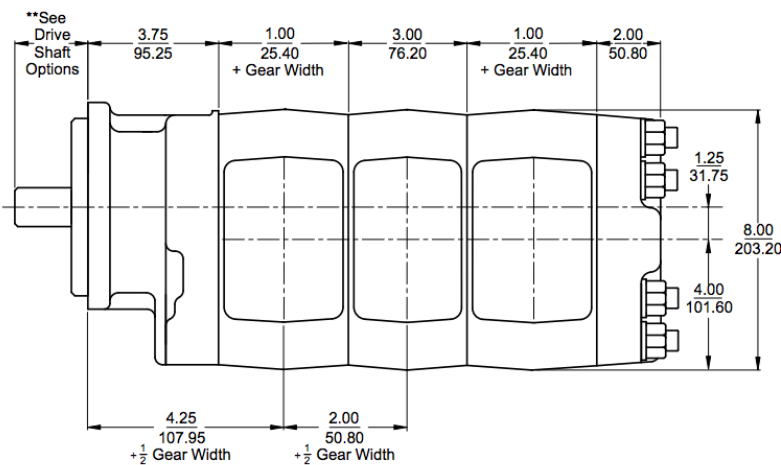


# Pumps & Motors

## Dimensional Data



**SINGLE UNIT**



**MULTIPLE UNIT**



Permco is a leading manufacturer of high-pressure hydraulic gear/vane pumps and motors, flow dividers, intensifiers, and accessories. Available in a wide variety of sizes and configurations to suit your application needs.

## Product Information

### Pump / Motor

Gear Size	Displ Cu.In	Theo. GPM 1000 RPM	Max RPM	Max PSI
1.00	4.04	17.49	2400	3000
1.25	5.06	12.90	2400	3000
1.50	6.07	26.28	2400	3000
1.75	7.08	30.65	2400	2500
2.00	8.09	35.02	2400	2500
2.25	9.10	39.39	2400	2500
2.50	10.10	43.72	2400	2500
2.75	11.10	48.05	2400	2000
3.00	12.10	52.38	2400	2000

Our Online Support is available 24/7/365 for your needs!

Email: [support@permco.com](mailto:support@permco.com)

Call: (800) 626.2801



Permco USA | 1500 Frost Road | P. O. Box 2068 | Streetsboro, Ohio 44241

