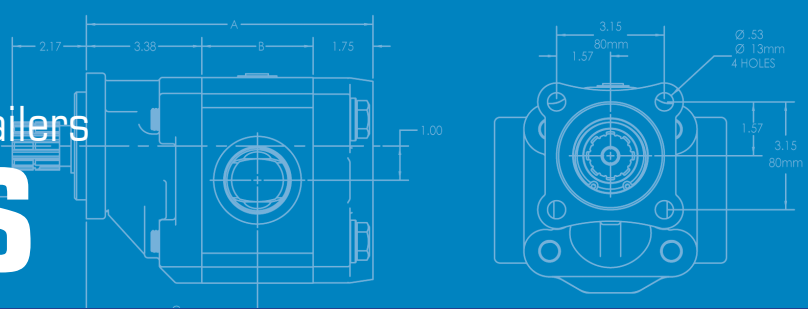


Heavy & Medium Duty Trucks & Trailers

5151 SERIES

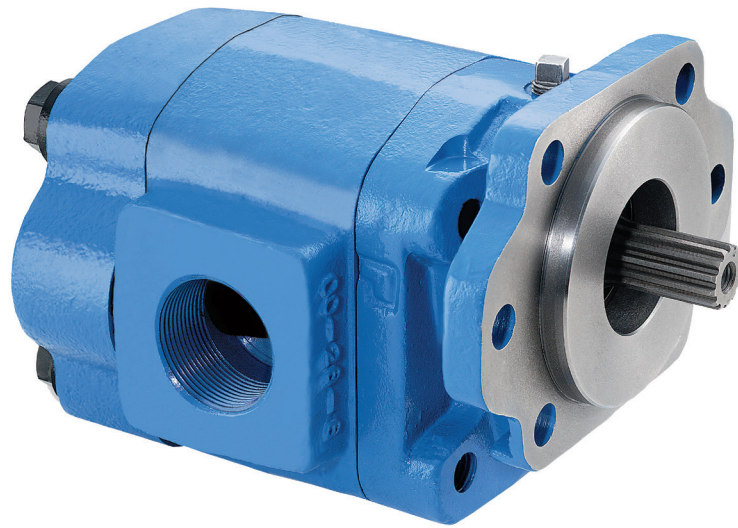


Precision-Engineered Fluid Power Products

The Sensible Choice for Pumps & Motors



Car Haulers
Dump Trucks
Crane Equipment
Vehicles
Roll Off Trucks
Refuse Collection
Snow Plows &
Spreaders
Walking Floor



Features

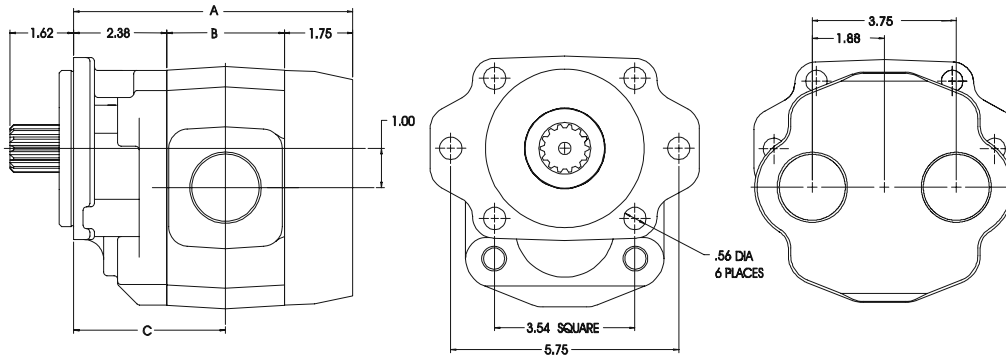
- Dual Ported - Standard 1-1/2" NPT rear ports and up to 1-1/2" NPT side ports
- Pressure balanced wear plates maintain high pump efficiency throughout all operating ranges
- Bi-Rotational Pump/Motor designed to fit a wide variety of applications
- Doweled and high strength cast iron construction
- High strength alloy steel gear and shaft sets
- Standard SAE "B" 2 & 4 Bolt Mounting Flange
- Standard SAE "B" Spline Output Shaft
- Cubic inch displacements from 4.50 through 7.07
- Maximum pressure up to 3000 PSI
- Speeds to 2400 RPM
- 100% factory tested





Pumps & Motors

Dimensional Data (inches)



Product Information

Type II (shown above)

Model #	A	B	C	Displ Cu.In	Theo. GPM 1000 RPM	NPT Ports Side	NPT Ports Rear	Max RPM*	Cont. PSI	Max PSI
(P)5151A224AAXK17-54	6.63	2.50	4.63	4.50	19	1-1/4	1-1/2	3000	2500	3000
(P)5151A224AAXK20-54	6.88	2.75	4.75	5.15	23	1-1/4	1-1/2	3000	2250	3000
(P)5151A224AAXQ22-54	7.13	3.00	4.88	5.70	25	1-1/2	1-1/2	3000	2250	3000
(P)5151A224AAXQ25-54	7.38	3.25	5.00	6.43	27	1-1/2	1-1/2	3000	2250	3000
(P)5151A224AAXQ27-54	7.63	3.50	5.13	7.07	30	1-1/2	1-1/2	2400	2000	3000

TYPE I**

Model #	A	B	C	Displ Cu.In	Theo. GPM 1000 RPM	NPT Ports Side	NPT Ports Rear	Max RPM*	Cont. PSI	Max PSI
(P)5151***4AAXK17-14*	6.63	2.50	4.63	4.50	19	1-1/4	1-1/2	3000	2500	3000
(P)5151***4AAXK20-14*	6.88	2.75	4.75	5.15	23	1-1/4	1-1/2	3000	2250	3000
(P)5151***4AAXQ22-14*	7.13	3.00	4.88	5.70	25	1-1/2	1-1/2	3000	2250	3000
(P)5151***4AAXQ25-14*	7.38	3.25	5.00	6.43	27	1-1/2	1-1/2	3000	2250	3000
(P)5151***4AAXQ27-14*	7.63	3.50	5.13	7.07	30	1-1/2	1-1/2	2400	2000	3000

(P) for Pump (M) for Motor

**Consult the Design Engineer's Handbook or Permco Code Books for more details & options for Type I Shaft End Covers & Shafts.

* Maximum Inlet Vacuum 5 In. Hg.



Permco is a leading manufacturer of high-pressure hydraulic gear/vane pumps and motors, flow dividers, intensifiers, and accessories. Available in a wide variety of sizes and configurations to suit your application needs.

Our Online Support is available 24/7/365 for your needs!

Email: support@permco.com

Call: (800) 626.2801



Permco USA | 1500 Frost Road | P. O. Box 2068 | Streetsboro, Ohio 44241

