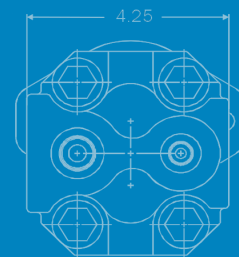
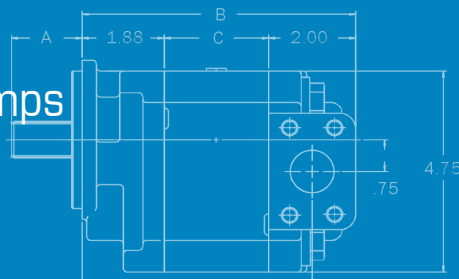


Small Displacement Roller Bearing Pumps

2100 SERIES



Precision-Engineered Fluid Power Products

The Sensible Choice for Pumps & Motors



Bulk Feed Trucks
Car Carriers
Trucking Applications



Features

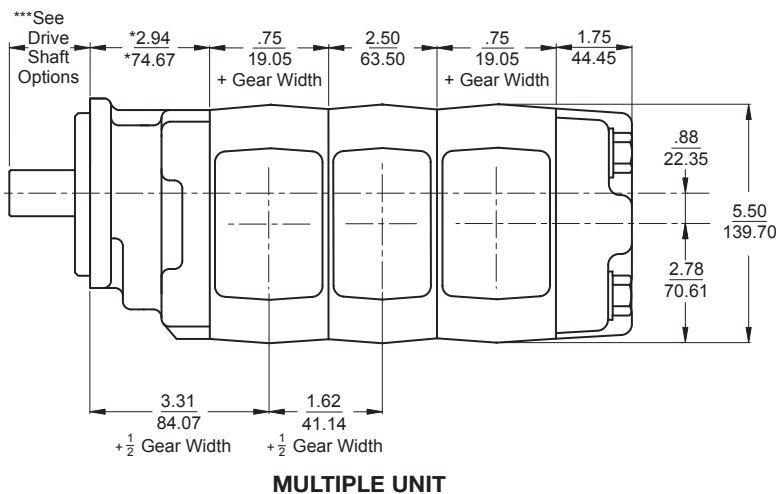
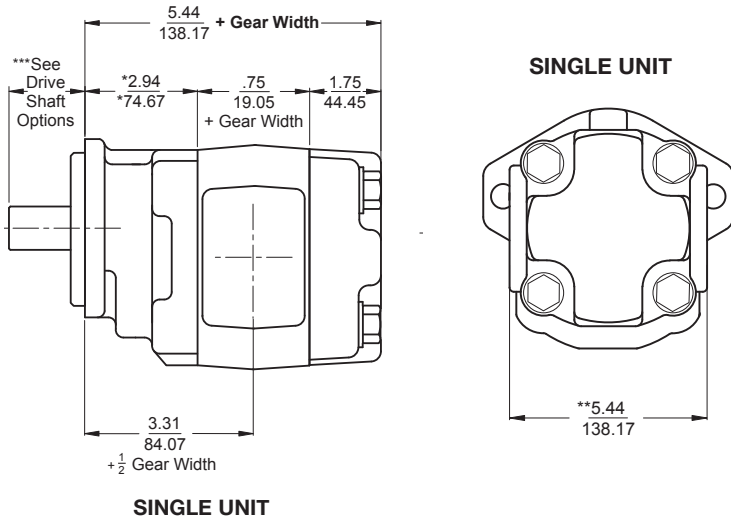
- Light duty roller bearing design in a small frame size
- Working pressure up to 3000 PSI
- Cubic inch displacements from 1.00 through 4.00
- Speeds up to 2400 RPM
- Flows up to 17 GPM
- Doweled and high strength cast iron construction
- High strength alloy steel gear and shaft sets
- Split flange & SAE ORB ports are available
- Pressure balanced wear plates maintain high pump efficiency throughout all operating ranges
- 100% factory tested





Pumps & Motors

Dimensional Data



Permco is a leading manufacturer of high-pressure hydraulic gear/vane pumps and motors, flow dividers, intensifiers, and accessories. Available in a wide variety of sizes and configurations to suit your application needs.

Product Information

Pump / Motor

| Gear Size | Displ Cu.In | Theo. GPM 1000 RPM | Max RPM | Max PSI |
|-----------|-------------|--------------------|---------|---------|
| 0.50 | 1.00 | 4.33 | 2400 | 3000 |
| 0.75 | 1.50 | 6.49 | 2400 | 3000 |
| 1.00 | 2.00 | 8.66 | 2400 | 3000 |
| 1.25 | 2.50 | 10.82 | 2400 | 3000 |
| 1.50 | 3.00 | 12.99 | 2400 | 3000 |
| 1.75 | 3.50 | 15.15 | 2400 | 2500 |
| 2.00 | 4.00 | 17.32 | 2400 | 2500 |

Our Online Support is available 24/7/365 for your needs!

Email: support@permco.com

Call: (800) 626.2801



Permco USA | 1500 Frost Road | P. O. Box 2068 | Streetsboro, Ohio 44241

