

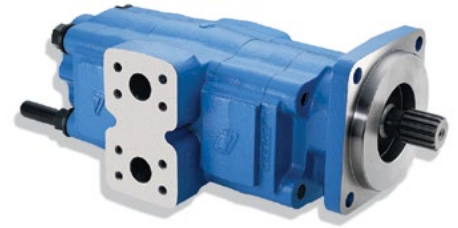


## TECHNICAL SPECIFICATIONS



# 257 SERIES

Medium displacement sleeve bushing pump and motor



### PUMP PERFORMANCE CHART [gpm]

#### GEAR WIDTH [in]

SPEED [rpm]	GEAR WIDTH [in]											
	1/2	3/4	1	1 1/4	1 1/2	1 3/4	2	2 1/4	2 1/2	2 3/4	3	
	600	2.2	3.2	4.3	5.5	7.3	8.9	10.5	12.4	14.2	—	—
	800	—	—	6.6	8.5	10.7	12.7	14.9	16.8	19.1	—	—
	1000	—	—	9.1	11.8	14.5	16.8	19.3	21.9	24.8	—	—
	1200	5.6	8.5	11.3	14.5	18	20.6	24	27.1	30.4	—	—
	1400	—	—	13.7	17.7	21.2	24.9	28.4	32.4	36.2	—	—
	1600	—	—	15.9	20.7	24.5	28.6	33	37.3	41.7	—	—
	1800	9.2	13.8	18.4	23.2	27.6	32.4	37.2	42.2	47.2	—	—
	2000	—	—	20.6	25.8	30.9	36.1	41.3	46.9	52.5	—	—
2200	—	—	22.7	28.4	34.1	39.8	45.5	51.6	57.5	—	—	
2400	—	—	24.8	31	37.2	43.4	49.7	56.2	62.1	—	—	
<b>Max RPM</b>	2400									—	—	
<b>Displacement (in<sup>3</sup>)</b>	1.29	1.93	2.57	3.21	3.86	4.5	5.14	5.78	6.43	—	—	
<b>Displacement (cc)</b>	21.10	31.60	42.10	52.60	63.30	73.70	84.20	94.70	105.40	—	—	
<b>Rated PSI</b>	3000							2750	2500	—	—	
<b>Max Operating PSI</b>	4500				3500	3250	3000	2750	2500	—	—	

### SPECIFICATIONS

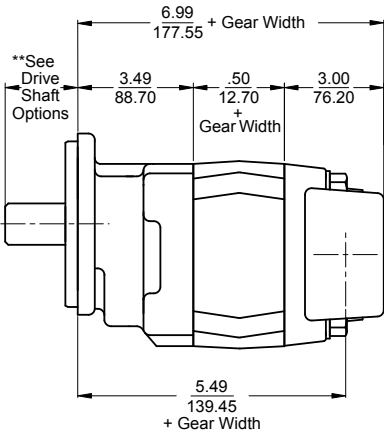
Series	Type	Frame Size	Displacement	Max RPM	GPM @ 1000RPM	Max PSI
257	Bushing	Medium	1.29-6.43	2400	5.5-28	4500

## MOTOR PERFORMANCE CHART

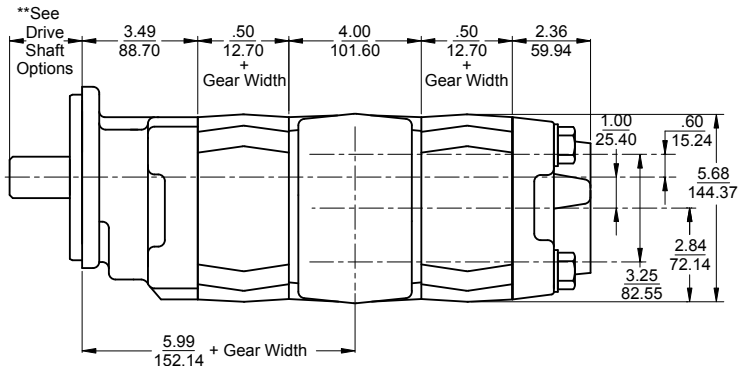
### GEAR WIDTH [in]

SPEED [rpm]	1		1 1/4		1 1/2		1 3/4		2		2 1/4		2 1/2			
	Flow (GPM)	Torque (in-lb)	Flow (GPM)	Torque (in-lb)	Flow (GPM)	Torque (in-lb)	Flow (GPM)	Torque (in-lb)	Flow (GPM)	Torque (in-lb)	Flow (GPM)	Torque (in-lb)	Flow (GPM)	Torque (in-lb)		
900	13.25	1242	16	1605	18.5	1950	21.25	2142	23.5	2262	26.5	2342	28.5	2362		
1200	17	1250	19.5	1610	23.25	1962	26.75	2150	30.5	2260	33.5	2340	36.5	2360		
1500	20.5	1237	24.25	1605	26.5	1980	32.5	2132	36.5	2230	41	2310	45	2330		
1800	23.5	1210	28.5	1560	34	1900	38.5	2060	43.5	2165	48.5	2229	53.5	2260		
2100	26.25	1180	32.5	1522	38.5	1840	44	2005	51	2100	56.25	2160	62.5	2178		
2400	30	1142	36.5	1475	43.5	1792	50.5	1955	56	2050	63.5	2107	69	2128		
PSI	3500				3250				3000				2750		2500	

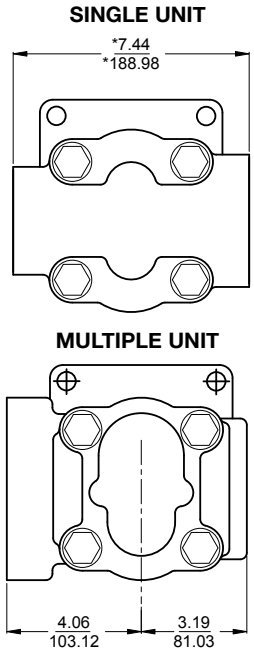
## DIMENSIONAL DATA



SINGLE UNIT



MULTIPLE UNIT



**DISCLAIMER** Consult your Permco Representative or the factory for operation below 600 or above 2400 RPM and temperatures above 180° F. Oil Viscosity: 150 SUS (32.1 cSt.) at 100° F (37.8° C) | Oil Temperature: 150° F (65.5° C)



1500 Frost Road P.O. Box 2068  
 Streetsboro, Ohio 44241  
 Phone 330.626.2801 • Fax 330.626.2805

support@permco.com • www.permco.com  
 twitter: @permco  
 facebook: www.facebook.com/permco