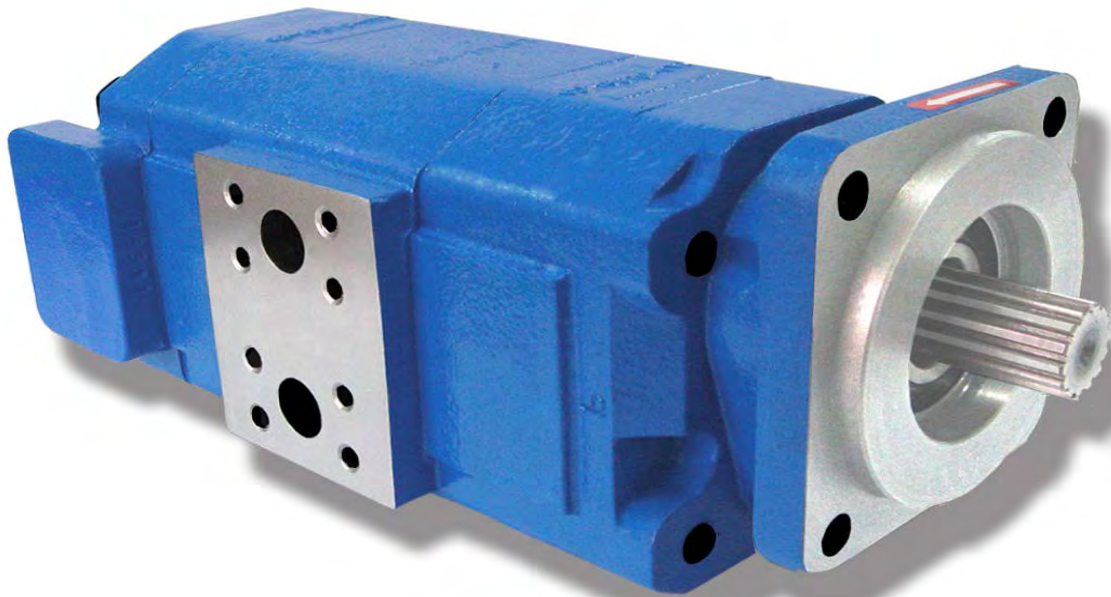


PERMCO

P360

360 SERIES PUMPS

LARGE DISPLACEMENT SLEEVE BUSHING PUMPS



*P360 SERIES TANDEM,
SINGLE INLET/DUAL OUTLET*

360 SERIES FEATURES

- ❑ Heavy duty sleeve bushing design in a large frame size
- ❑ Cubic inch displacements from 1.80 through 9.00
- ❑ Working pressure up to 3500 PSI
- ❑ Speeds up to 2400 RPM
- ❑ Flows up to 90 GPM
- ❑ Doweled and high strength cast iron construction
- ❑ 100% factory tested
- ❑ High strength alloy steel gear and shaft sets
- ❑ A wide range of porting, mounting, and shaft options available
- ❑ Pressure balanced wear plates maintain high pump efficiency throughout all operating ranges
- ❑ Both single inlet/single outlet and single inlet/dual outlet bearing carriers available

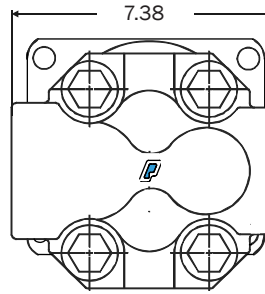
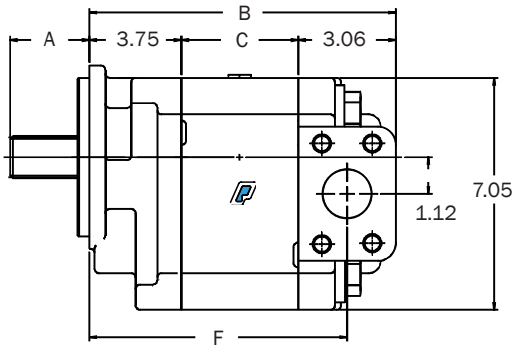


P360 SERIES SINGLE

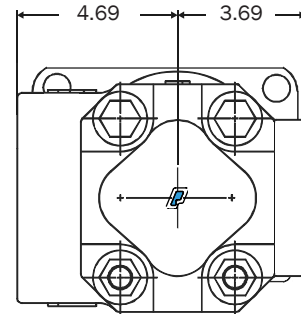
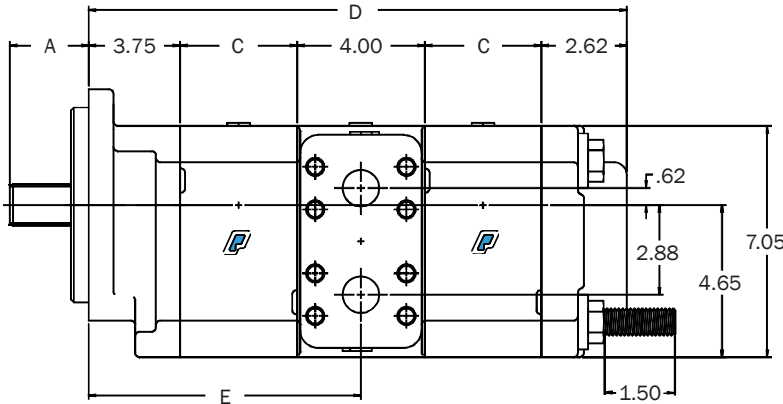


The Sensible Choice

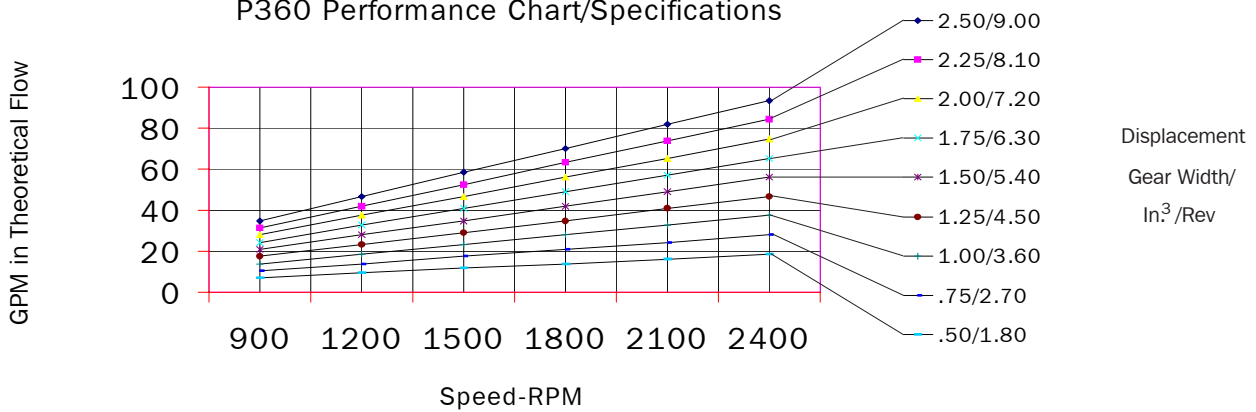
Dimensional Data (inches)



- A. 2.19" SAE "C" shaft shown, other shafts available
- B. 7.31" plus gear width
- C. 0.50" plus gear width
- D. 11.38" plus total gear width
- E. 6.25" plus front gear width
- F. 5.79" plus gear width



P360 Performance Chart/Specifications



GEAR WIDTH (IN)	DISPL CU IN/CC	MAX RPM	MIN RPM	MAX PSI/BAR
0.50	1.80/30	2400	600	3500/241
0.75	2.70/44	2400	600	3500/241
1.00	3.60/59	2400	600	3500/241
1.25	4.50/74	2400	600	3500/241
1.50	5.40/89	2400	600	3500/241
1.75	6.30/103	2400	600	3500/241
2.00	7.20/118	2400	600	3500/241
2.25	8.10/133	2400	600	3250/224
2.50	9.00/148	2400	600	3000/207